

INSTALLATION GUIDE

Thank you for choosing our Waterproof Wall Tiles. When properly installed and cared for, your new tiles will be easy to maintain and will keep their great look for years. Please read all the instructions carefully before you begin the installation. The manufacturer is not responsible and will not be held liable for any labor costs, project failures or damage incurred as a result of improper installation. Due to manufacturing variations, an exact color match from lot to lot can't be guaranteed.

1. GENERAL PREPARATIONS

- Prior to installation, inspect material in daylight for visible faults/damage, including defects or discrepancies in color or gloss, scratches/dents, check the edges of the panels for straightness and any damage. Claims on surface and other inherent defects that were visible before installation will not be accepted after installation.
- Check if substrate conditions comply with the specifications described in these instructions as well as with your local building codes, and whether appropriate moisture abatement measures are present. If you are not satisfied, do not install, and contact your supplier.

2. INDOOR ENVIRONMENT, MATERIAL STORAGE AND ACCLIMATION

- Your new Wall Tiles can be damaged by rough handling before installation. Exercise care when storing, handling, and transporting these products. Store cartons flat, never on edge.
- The product can be heavy and bulky. Always use proper lifting techniques when handling. Whenever possible, make use of material-handling equipment such as dollies or material carts. Never lift more than you can safely handle; get assistance if necessary.
- The environment where the panels are to be installed is critically important with regard to successful installation and continued performance of the product. The panels are intended to be installed in interior locations only.
- Panels should only be installed in temperature-controlled environments. It is necessary to maintain a constant temperature of 70-80°F / 20-25°C before and during the installation. The use of portable heaters is not recommended.
- After installation, make sure that the panels are not exposed to temperatures less than 14°F / -10°C or greater than 140°F / 60°C.
- Please follow the adhesive manufacturer's guidelines for storing, acclimation or preparation of the glue prior to installation.

3. GENERAL INFORMATION

- Inspect the substrate carefully. It must be flat, level to 1/8" / 2 mm within 3.3 ft / 1 m, grouts of 5*4 mm to be filled and leveled, clean, free from dust, grease, wax, paint, varnish, oils, sulfur, solvents, excessive moisture, alkali, or any foreign matter and contaminants. Do not use products containing petroleum, solvents or citrus oils to prepare substrates as they might impact the bonding strength of the installation. Use of adhesive abatement chemicals will void the warranty.

- Your Waterproof Wall Tiles are not suitable to be installed outdoors, in spaces with temperature exposure outside of the allowed range, or on raw concrete, poured concrete walls or concrete block basement walls. Voids or deviations must be leveled.
- The substrate must be plumb and square, otherwise installer to pattern scribe the panels for perfect fit.

Dry environments:

- Acceptable substrates are framed walls with existing tiles or ceramic, drywall, cement board, OSB or plywood. Substrates must be structurally sound, comply with your local building codes and have incorporated appropriate moisture abatement measures.
- For installations over new drywall, you will need to tape and finish joints. Drywall sheets are tapered along the long ends, and will need to be filled for a smooth, flat, flush substrate.
- Remove electrical plates, vents, and fixtures attached to the wall. Note: It may be necessary to purchase longer screws when reattaching electric plates or fixtures after installation.

Damp environments (backsplash, laundry room, bathroom):

- Acceptable substrates are framed walls with existing tiles or ceramic, drywall, cement board, OSB or plywood. Substrates must be structurally sound, comply with your local building codes and have incorporated appropriate moisture abatement measures.
- Use a 100% silicone sealant on the whole installation perimeter and in the tile's tongue and groove seams to make your Waterproof Wall Tile installation fully waterproof.

Wet environments (shower, tub, laundry room, direct or flowing water):

- **NOTE THAT FAULTY WATERPROOFING IN WET AREAS CAN LEAD TO SERIOUS STRUCTURAL DAMAGE. IT IS PARAMOUNT THE SUBSTRATE IS WATERPROOFED OR "TANKED" ACCORDING TO LOCAL BUILDING CODES AND REGULATIONS.**
- Existing ceramic tile walls can be covered with your new Waterproof Wall Tiles with no additional preparation substrate. Other substrates require installation over a waterproof barrier underlayment or waterproofing membrane, such as Schluter Kerdi Board®, Cement Board®, GP DensShield®, Johns Manville Go Board®, Hardiebacker®, WPBK Triton®, Fiberock® and similar products. Always follow the manufacturer's instructions to create a waterproof enclosure. Failures in the performance of the substrate panel rest solely on the panel manufacturer.
- When installed using a silicone sealer on the whole installation perimeter and in the tile's tongue and groove seams, our Waterproof Wall Tiles are fully waterproof. It is however always recommended to follow your local building codes for wet environments like showers and other areas with running water.
- When installing in wet environment areas, the adhesive should be fully spread on the surface. Make sure to apply enough adhesive to ensure a good bond, bond testing should be always performed.

4. BEFORE YOU START

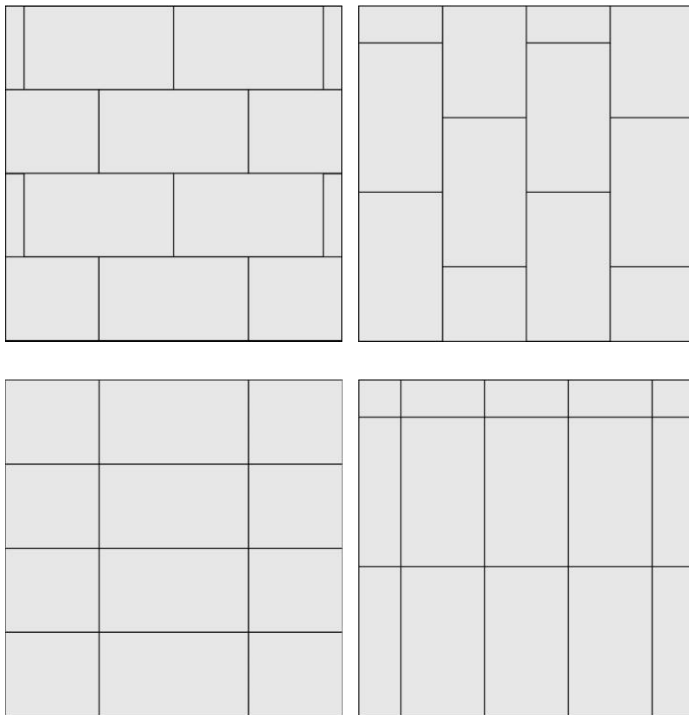
4.1. Tools Required

- Protective eye wear, measuring tape, utility knife, level, hand roller, hand saw or circular saw/table saw/sabre jig saw, drill bit & jig saw (for cutting holes), caulking gun, adhesive for PVC panels (MS-polymer based adhesive such as Loctite Power Grab Ultimate,

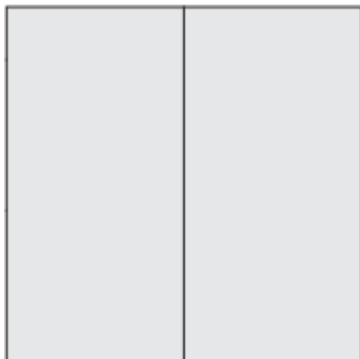
Titebond Titegrab Ultimate), silicone-based sealant for wet environments, matching trims (optional), rubber gloves.

4.2. Layout

- It is recommended to perform a “dry layout” prior to applying any adhesives.
- As with all tile installations the layout should be balanced. Shift layout $\frac{1}{2}$ of tile size to avoid small pieces at perimeter.
- Measure the straightness and levelness of your walls and edges. It might be needed to trim some panels according to the room construction and tile size.
- Depending on your project, panels can be centered at a focal point, such as behind a sink or the center of a room.
- For the purpose of the layout only, build out from both sides of the focal point, to ensure how the tiles fit into the space. Ensure the installation is centered on both sides of the center point.
- Smaller formats with 4 side tongue and groove connections can be installed with a horizontal or vertical orientation, either brick staggered or corner to corner:

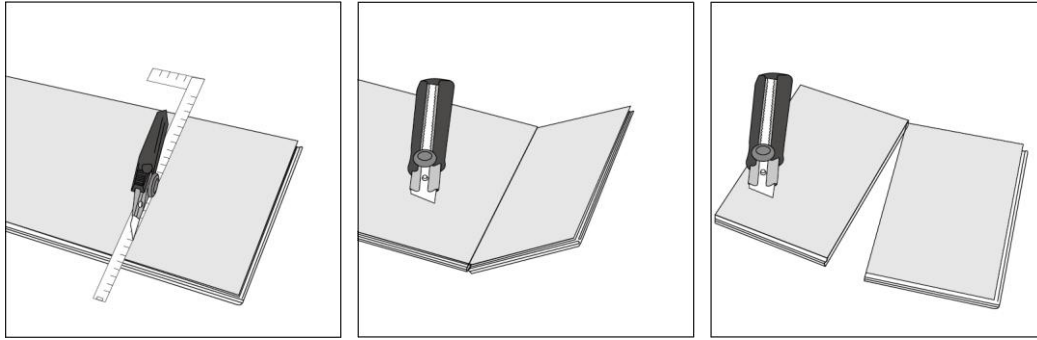


- The large format shower panel (900 x 2600 mm / 35 x 100 inch) with 2 side tongue and groove connection can only be installed with a vertical orientation:

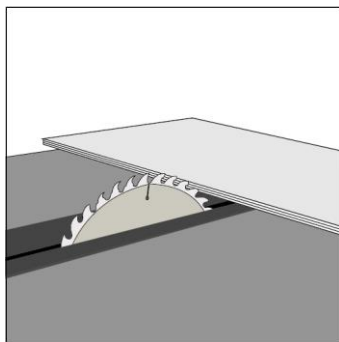


4.3. Cutting

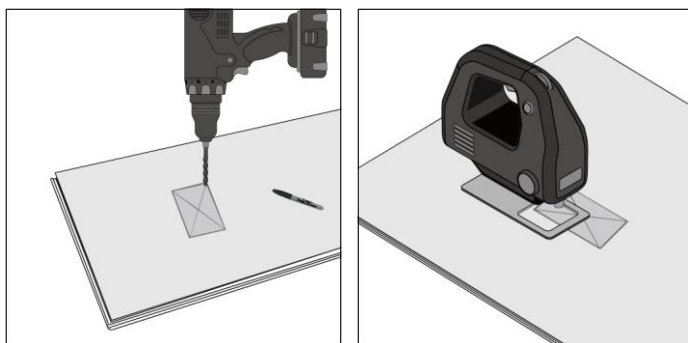
- For smaller formats (ex. 389 x 778 mm / inch): to make cuts simply measure and mark the panel. Score and snap using a sharp utility knife. Use proper PPE when handling sharp tools. If required use sanding paper to smoothen the snapped edges.



- For bigger formats (900 x 2600 mm / 35 x 100 inch): standard wood working tools like a table saw or circular saw with a fine-tooth blade can provide a clean, smooth cut. Use proper PPE and take safety precautions when handling saw blades and sharp tools.



- The panels need to be cut to install around outlets and light switches. Measure and mark the borders where the opening will be, drill a hole in a corner of the cut-out section and use a jigsaw or hand saw to cut the remaining opening, following your tracing. If required use sanding paper to smoothen the edges.



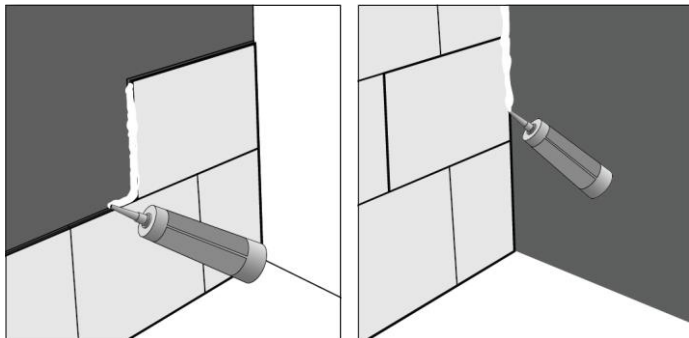
4.4. Adhesive

- Use an adhesive suitable for PVC panels (MS-polymer based adhesive such as Loctite Power Grab Ultimate, Titebond Titegrab Ultimate). Always perform adhesion testing to determine the compatibility of the adhesive to the substrate. If you're not satisfied, do not install, and contact your supplier or adhesive supplier/manufacture.
- Apply the adhesive in a zigzag pattern onto the panel or the substrate. Apply enough adhesive to ensure a good bond, bond testing should always be performed. When installing in wet environment areas, the adhesive should be fully spread on the surface.

- After applying the adhesive, you can place the tile onto the substrate. It is possible to adjust the position, when you are satisfied, push or roll to ensure full adhesive transfer to the back of the tile.
- All glue residue should immediately be removed using denatured alcohol applied to a clean cloth, do not pour directly onto surface. Never use detergents.

4.5. Sealant

- Prior to installation remove old silicone joints.
- Panels that are intend to be installed in damp or wet environments require a 1/8" / 3 mm bead of 100% silicone sealant to be applied in all tongue and groove connections as well as along all cut edges and corners. Note that the tile's groove should always be facing up when installing. If corner trims are used, sealant should be applied in all trim channels (see point "Trims")

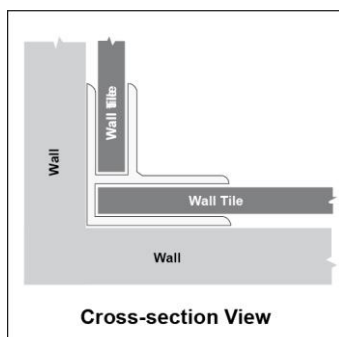


4.6. Trims

Trims are available at your retailer or supplier. These provide an easy and stylish way to finish up or upgrade your installation.

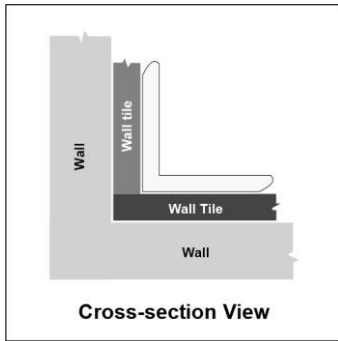
Inside Corners

- The V-Trim or inside corner trim should be attached to the substrate with adhesive. Dispense a small bead of adhesive directly to the bottom of the trim and press into place. If necessary, dispense a bead of sealant into each of the trim's channels to prevent water from reaching the substrate.
- It is possible to install into corners without trims – in this case, the tongue and groove must be cut off at the edge facing the corner. The corner gap can be finished with a flexible silicone sealer.



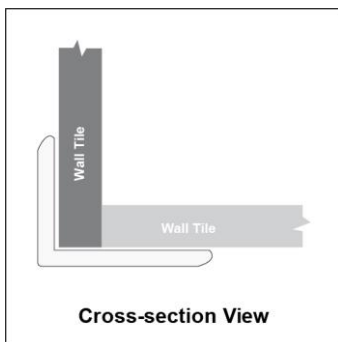
Inner Corner

Can be used to cover inner corners. To install, apply a thin bead of adhesive on the outer part of the trim and press into place.



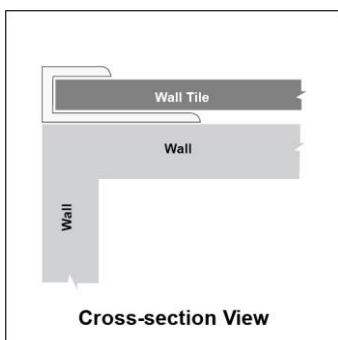
Outside Corners

- L-trims can be used to span or cover outside corners. To install, apply a thin bead of adhesive on the underside of the trim and press into place. It is possible to use some painter's tape to hold in place until the adhesive cures. If necessary, you can also dispense a bead of sealant on the underside of the trim to prevent water from reaching the substrate.



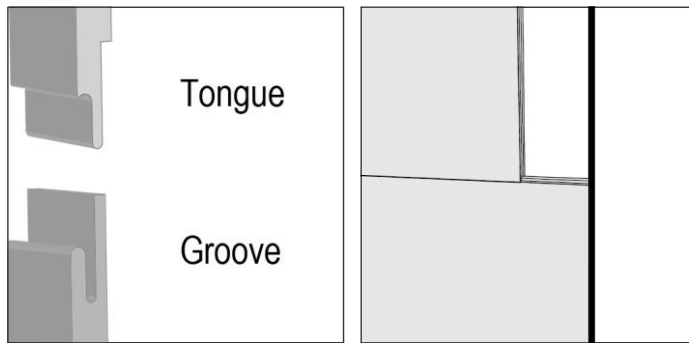
Outside Edges

- U-trims are used to finish the terminal end of panels when not adjoined to anything. To install, apply a thin bead of adhesive on the inside channel of the trim and slide into place underneath your tile. It is possible to use some painter's tape to hold the trim in place until the adhesive cures.

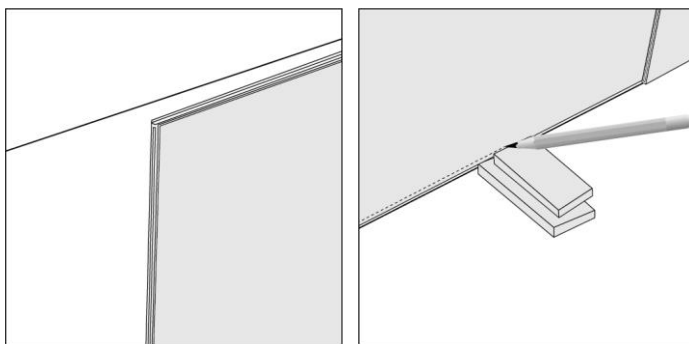


5. Installation

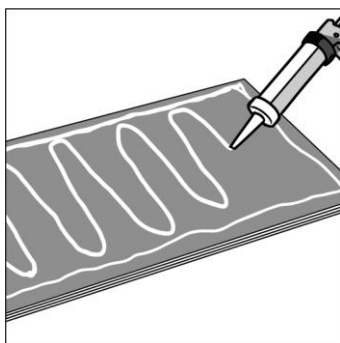
- Your Wall Tiles are installed from the bottom left to the top right of the installed surface. Tiles are installed with the groove facing up and out.



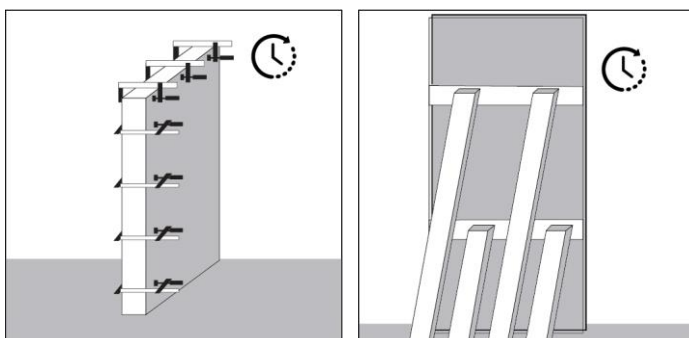
- To install your first panel, begin with the bottom row. Use a ledger board or level line at the top of each panel in the first row to ensure a level installation or determine the desired height of your first row and mark a level line at that height for a reference line. Align the top of each panel in the first row to the marked line. Make sure the first panel you intend to install fits properly and is level. You may need to place a temporary shim under each bottom panel to hold them in place while the adhesive sets.



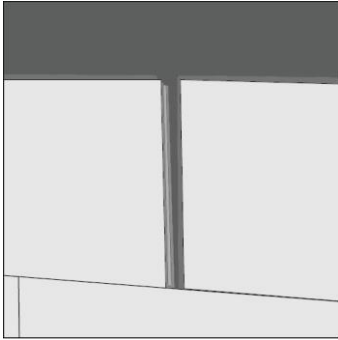
- Apply adhesive to the back of the panel. Carefully read and follow the adhesive manufacturer's directions. Apply a 1/4-inch / 6mm bead of adhesive in a zigzag pattern, and a bead around the panel perimeter about 1 inch / 25mm from the edges, or apply by troweling the adhesive onto the substrate, following your adhesive manufacturer's recommendations.



- Apply the panel to the substrate by pressing it into place. Apply even pressure with your hands across the entire panel. If necessary, use shims or pins to hold panels in place until the adhesive sets.

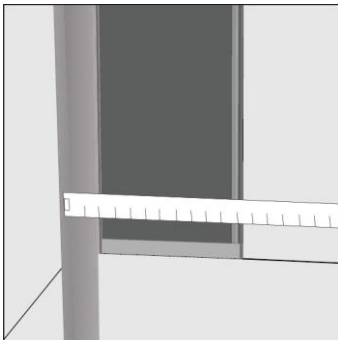


- Make sure to clean off any of the visible excessive adhesive from the surface while it's still wet. Use denatured alcohol applied to a clean cloth, do not pour directly onto surface. Do not allow adhesive residue to dry as it will be difficult to clean it off and could damage the surface of the panels.
- **Second panel:** Connect the next panel by fully inserting the tongue into the groove.

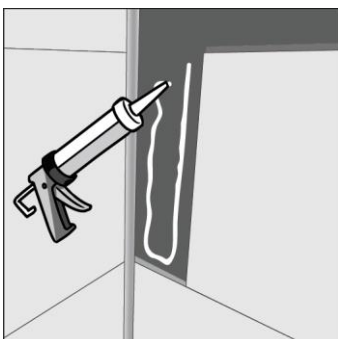


Repeat until the bottom row is complete.

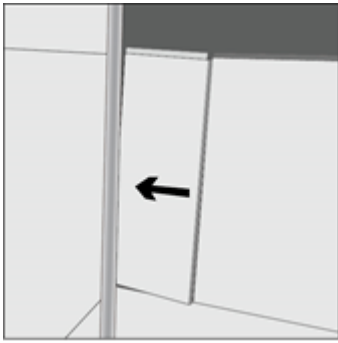
- **Last panel:** When installing in a corner without trims, cut off the flange facing the corner to allow a flush installation against the substrate.
When installing with trims, before the installation of the last panels in the row, that would go into the corner, first install the inside corner trims into each corner using adhesive and allow 24 hours for the adhesive to cure. Ensure the V-trim is oriented with the deep channel facing the panel you are installing.
- In order to determine the length of the panel section, measure from the inside lip of the previously installed panel to the inside edge of the pre-installed V-trim.



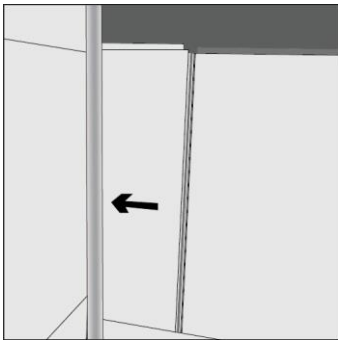
- After cutting the panel to length, apply adhesive in a zig zag pattern to the back of the panel or on substrate.



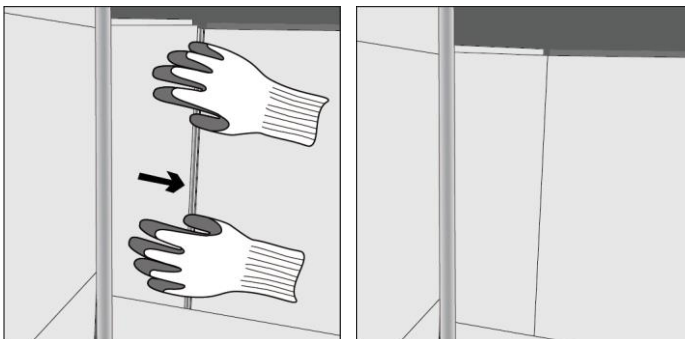
- Insert the cut panel edge into the V-trim channel while holding the interlocking joint-edge away from its mating panel. Insert the cut end into the edge of trim channel while holding other edge up.



- Push the panel into the edge trim channel while laying the panel down toward the substrate. When pushed into the V-trim channel entirely, the interlocking edges will be exposed.



- Apply sealant on the whole installation perimeter and to the interlocking edges and all trims if this installation is for a wet environment.
- The panel can now be manually pulled into place. Pull the panel toward the interlocking joint until the interlocking joint is tight and in place.
- **Tip:** rubber gloves can be used to increase grip friction with the surface of the panel.

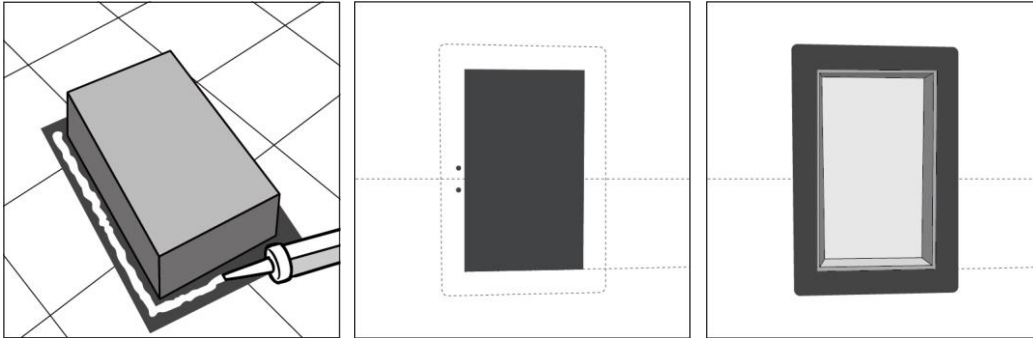


- Clean off any visible excessive adhesive from the surface while it's still wet. Use denatured alcohol applied to a clean cloth, do not pour directly onto surface. Do not allow adhesive residue to dry as it will be difficult to clean it off and could damage the surface of the panels.
- After the first row has set up, allow the adhesive on the bottom row to set before continuing your installation, so that all subsequent rows remain level. Apply the remaining panels according to the chosen pattern. Use adhesive and methods described above for remaining rows.
- **Top row:** when installing the top row, install as you have been until you get to the last panel in the corner. If panels butt against your ceiling, when installing the last panel, remove tongue and groove from the side and finish with a silicone sealant, or use a U-trim.

6. Installing a Shower Niche

- It is recommended to install preformed niches that fit over, or under your new Wall Tile installation.

- For niches that fit under your new Wall Tile installation, apply sealant to all edges of the preformed niche prior to inserting it into the niche opening of the substrate. Install your Wall Tiles over the exposed niche lip and apply a waterproof silicone sealant to all corners, edges and possible joints where water could penetrate. Cut trims to fit the niche edges and install with adhesive. Finish the installation with a silicone sealant around all trim edges.



- For niches that fit over your new Wall Tile installation, finish your installation around the niche opening, installing so that the tile edges are flush with the niche opening edges of the substrate. Insert your preformed niche and apply sealant to all edges where the niche meets the surface of your Wall Tiles.

Important: for installation in a shower area, around a bath or other very damp places, a line of silicon must always be provided in the connection between the panels themselves and between the panels and support trims to ensure a completely waterproof joint. It is critical to apply a silicon bead between the panel and the edge of the shower or the bath. We may only guarantee that the panels themselves are waterproof. Waterproofing each joint between the panels is the installer's responsibility and consequently we cannot be held liable for any damage resulting from this.

7. Finishing and maintenance

- Accessories like hooks, mirrors and other fittings should not be attached directly on the panels. For waterproofing purposes, anchors should be sealed per your sealant manufacturer's instructions.
- Use door stops, hinge stops, or door knob covers to prevent damage from doors.
- Do not attach heavy accessories like coat hooks, light fittings, mirrors, etc. directly to the panels but drill holes through the panels and use suitable screws and plugs to attach the accessories securely in the wall behind. Put an extra support behind the panels.
- For maintenance use ordinary household products.
- You can thoroughly clean the panels using a soft, non-abrasive cleaning agent. However, you usually only need a damp cloth to clean the panels.
- Do not use abrasives, aggressive substances, solvents or chloride-based cleaning products.